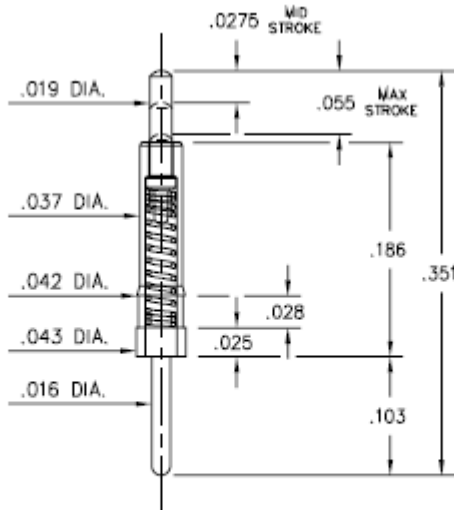




DATA SHEET

Product Number: 0950-0-15-20-71-14-11-0



Description:

0950 - Spring-Loaded Pin

Packaging:

Packaged in Bulk

0950-0-15-20-71-14-11-0

Standard Stroke

Solder Mount in .018 min. mounting Hole

Mill-Max Part Number	Shell Plating	Contact Plating	RoHS Compliant
0950-0-15-20-71-14-11-0	20 μ" Gold over Nickel	10 μ" Gold over Nickel	

SHELL MATERIAL:

BRASS ALLOY (UNS C36000) per ASTM B 16

Properties of BRASS ALLOY:

- Chemical composition: Cu 61.5%, Zn 35.4%, Pb 3.1%†
- Hardness as machined: 80-90 Rockwell B
- Density: .307 lbs/in³
- Electrical conductivity: 26% IACS*
- Melting point: 900°C/885°C (liquidus/solidus)

†(3 to 4% lead is used to permit "free machining" and is permitted by EC Directive 2002/95Annex 6; so all pin materials are RoHS compliant)

*International Annealed Copper Standard, i.e. as a % of pure copper.